



# JaHam<sup>®</sup>

## Model JT10 Truck Probe Sampling System

- Core Style.
- Suitable for medium to large elevator applications.
- Supplied complete with all hydraulic, vacuum and electric components required.
- Short and long distance vacuum systems.
- Hand held joystick operator controller supplied standard.
- Complete line of accessory items are available for all of our Truck Probe Sampling Systems.

The Model JT10 is the medium Jaham truck probe offering. It is ideal for use with all whole grains in low to mid-volume grain elevator and processing facilities. Ruggedly built, it will provide your operators with years of use at an affordable price. The core style sampling head is the fastest and most accurate method for probing trucks.

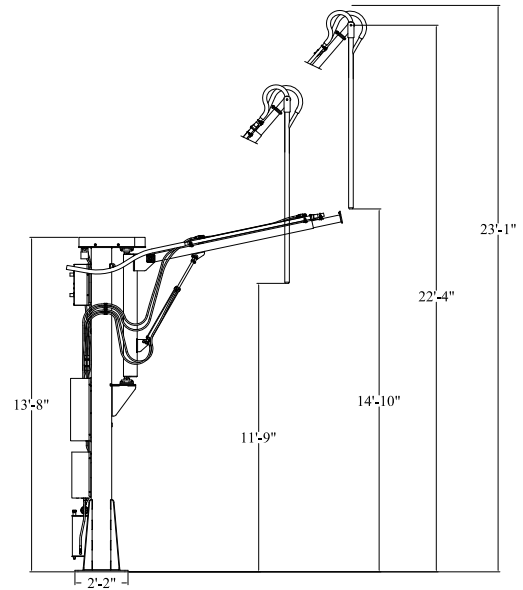
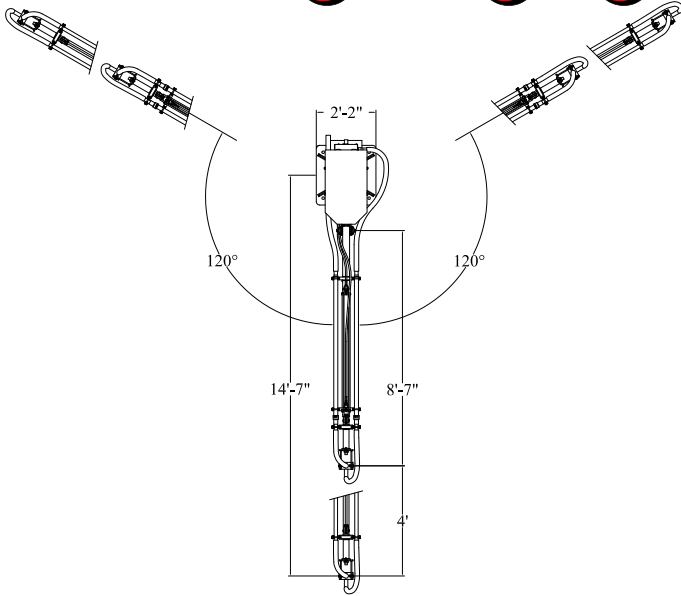
Its proven track record provides you the sampling confidence required in your daily operations. Like all Jaham systems, the Model JT10 is provided with the hydraulic and vacuum systems pre-mounted, pre-plumbed and pre-wired for easy installation and use.



**GAMET MANUFACTURING, INC.**  
7400 Boone Avenue North • Brooklyn Park, MN USA 55428  
info@gametmfg.com • www.gametmfg.com  
Toll Free 888-647-5475

# JaHam®

# Model JT10



## System Specifications

- Base: 26" x 26" \*
- Height 13' 8" \*
- Rotation: 240° \*
- Reach: 12' 6" \*
- Core Probe Length: 7' \*
- Hydraulic Pump: 2 HP, 3.6 GPM, 1,500 PSI
- System Voltage: 1/60/220\*

\* Other Options Available

## Vacuum System Options

**Standard Vacuum System:** Supplied with a separate vacuum and clean air supply motor. Suitable for conveying product up to 120'.

**Dual Vacuum System:** Supplied with (2) separate vacuums and (1) clean air supply motor. Suitable for conveying product up to 250'.

**Positive Displacement Pump System:** Supplied with a separate vacuum pump and clean air supply motor. Suitable for conveying product in excess of 250'.

## Available Accessories

Cyclone Style Collection System  
Gravity Divider  
Excess Sample Return Systems  
One Way Scale Ticket Conveying System  
Bi-Directional Scale Ticket Return System

Video Monitoring Equipment (CCTV)  
Traffic Control Lights  
Audio Intercom System  
Signal Alarm

**Tubing Support/Structure System:** Engineered tubing support system provides a mounting mechanism for sample conveying tubing, electric conduit and a variety of truck probe system accessories. These easy to install systems are designed so no welding and special tooling is required.



**GAMET MANUFACTURING, INC.**  
7400 Boone Avenue North • Brooklyn Park, MN USA 55428  
info@gametmfg.com • www.gametmfg.com  
Toll Free 888-647-5475