

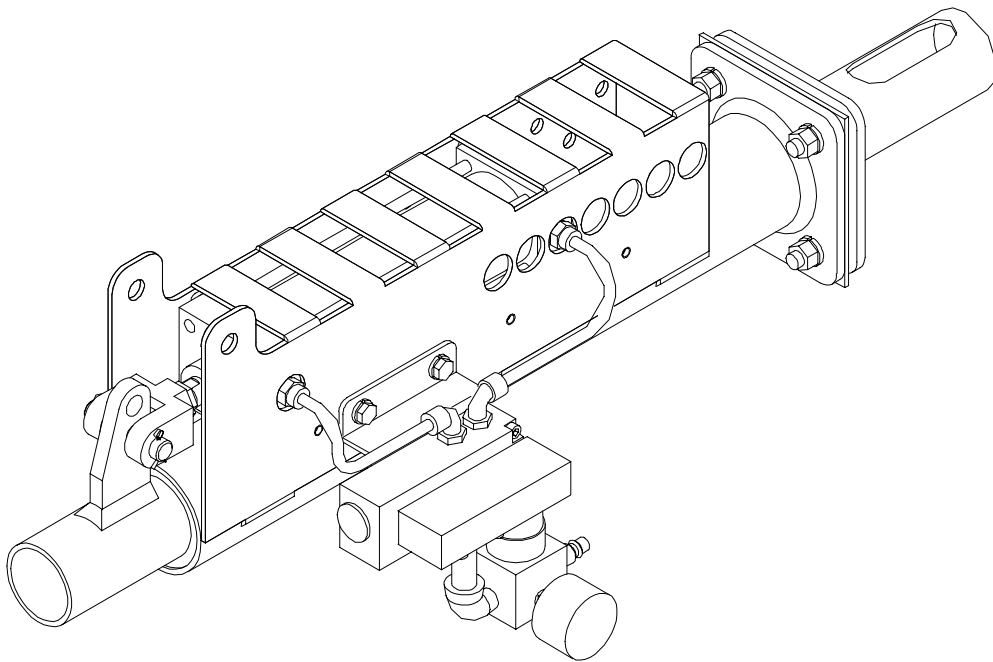


Quality Control Samplers

Model B-310

The Gamet model B-310 sampler is ideal for use in quality control and bagging operations. This unit is available in pneumatic, hydraulic and electrically operated versions. The sample probe is constructed of a 2" diameter stainless steel tube and can penetrate the product flow from 4-24".

This device can be used to sample grain, meal, powders, pellets and other dry bulk aggregate materials up to 1/2" in diameter. Sample frequency is easily adjusted with both the sample time and the time the probe stays out of the product flow controlled independently.



This sampler can be provided with a variety of options including the following:

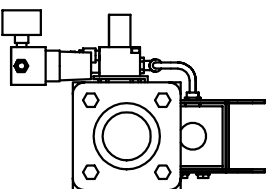
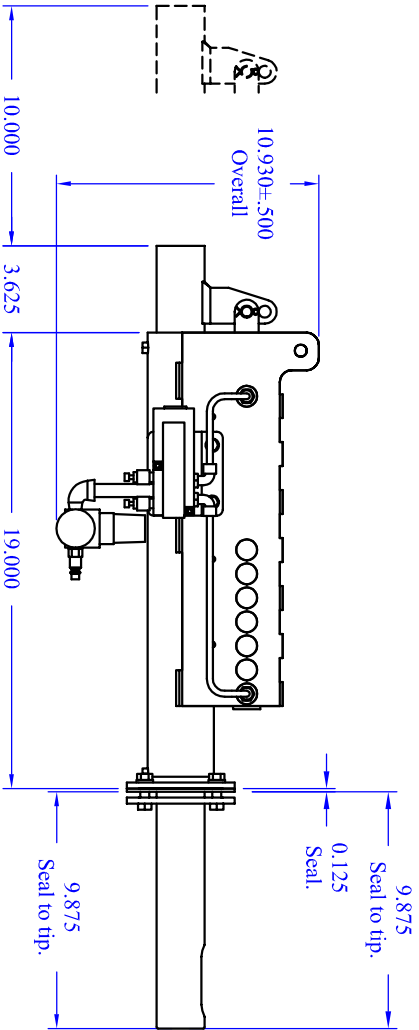
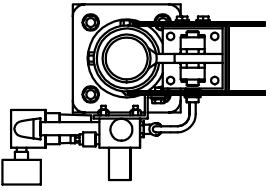
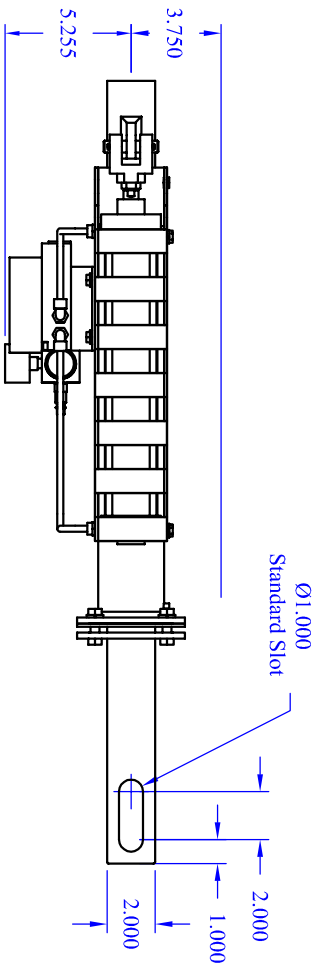
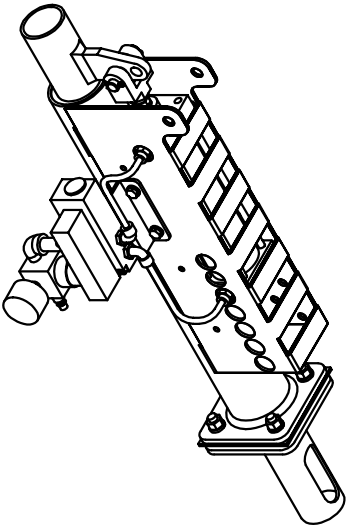
- Nema 9 electric enclosure and control valves.
- Nema 4 electric enclosure.
- Food grade seals.

The model B-310 is a simple to use, reliable sampling device. Call or write today for more information.



Gamet Manufacturing Incorporated
698 Prior Ave North
Saint Paul, Minnesota 55104

(888) 647-5475
Fax (651) 647-5412
e-mail: sales@gametmfg.com



Tolerances unless noted.
 0 ± 0.125
 0.0 ± 0.063
 0.000 ± 0.031
 0.000 ± 0.016
 0° ± 2°



Gamet Manufacturing Inc.
 698 Prior Avenue North
 St. Paul, Minnesota 55104
 Phone: 651-647-5410

Print Number: B310 General-10
 Print Description: Model B310 - 10" Stroke
 File: \Drawings\B310\B310 General-10.dwg

Approvals	Date	#	Revisions	By	Date	
DRW	ATW	12/11/02	00	Original	ATW	12/11/02
ENG	ATW	12/11/02				
CHK	ATW	12/11/02				
SAT	ACT	12/11/02				

This drawing and the design and detail shown herein are the property of Gamet Manufacturing Inc. and are not to be reproduced, copied, or distributed in any form without the consent of Gamet Manufacturing Incorporated. The drawing must not be reproduced and must be returned to Gamet Manufacturing Incorporated upon request.