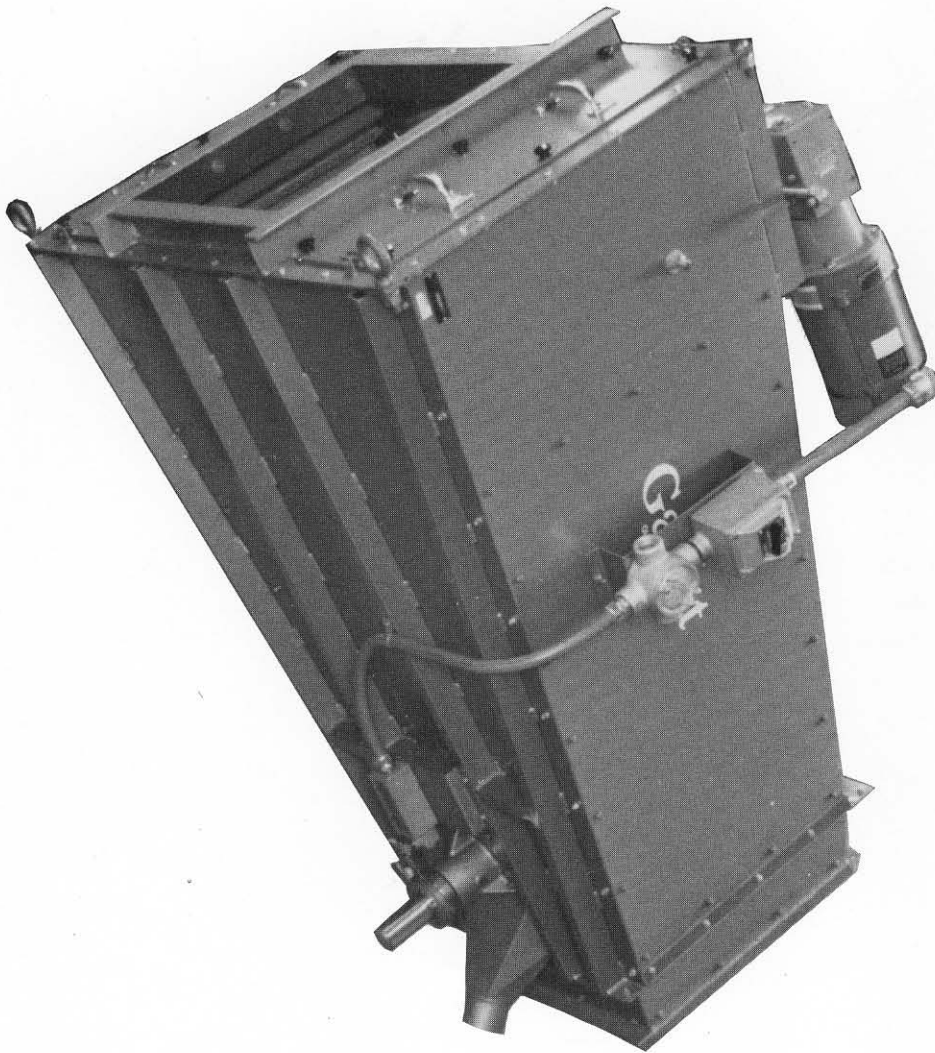


SERIES 6800L SAMPLER

For Sloped or Vertical Spout with
Large Flow Rates
FGIS APPROVED



The series 6800 type samplers are the most commonly used and easily maintained spout samplers. It will mount in any spout configuration (square, round or rectangular) and at any angle from vertical to 35 degrees off of horizontal.

The series 6800L is a true diverter type sampler which obtains a representative sample of the entire flow stream. It can be used to sample most dry bulk flowable solids including grains, plastic pellets, powders, meals and other dry aggregate materials. It features a simple drive mechanism for easy use and maintenance. The diverter pivots on one large bearing extending out of the sampler. It is driven by a sprocket and chain arrangement that is virtually maintenance free.

The 6800L is a totally sealed unit. Dust and whole particles do not leak out of the sampler whether the unit is new or has been in service for many years. Dust seals also protect the diverter opening when it is at rest thus insuring the integrity of the sample.

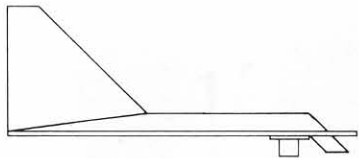
All wearing surfaces inside the sampler can be lined with your choice of rubber, UHMW, urethane, ceramic urethane or ceramic tile.

An electric control enclosure is supplied complete with all necessary switch gear and internal wiring to operate the entire system. This unit is supplied standard NEMA 12 with NEMA 4 and 9 options also available. All motors, on-off switches and limit switches on the sampler are supplied class II, group G (explosion-proof).

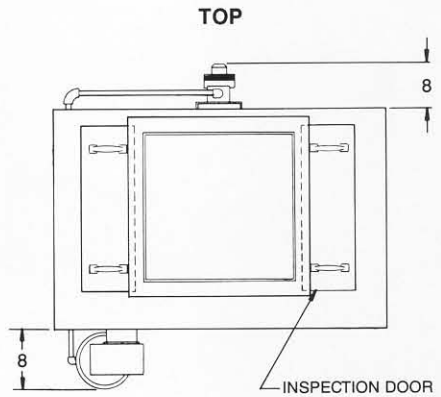


SERIES 6800L SAMPLER

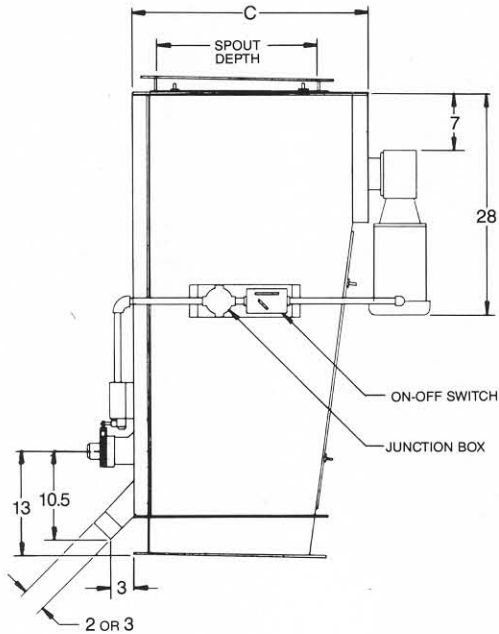
Dimensions



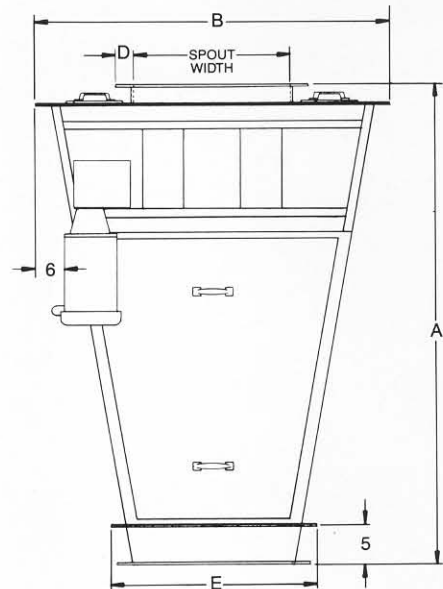
DIVERTER



SIDE



FRONT



SPOUT SIZE	A	B	C	D	E	WT.	HP
17-18-19	60	44	29.25	1.5	23	780	1
20-21-22	64.25	49	32.25	2	27	840	1
23-24-25	70	55	35.25	2	30	900	1
26-27-28	76	61	38.25	2	33	960	1
29-30-31	82	67	41.25	2	36	1020	1

NOTE: Use spout depth to determine "C" dimension.
Use spout width to determine "A B D E" dimensions.

